



**walvoil**  
MOTION BY PEOPLE

**NEW**

## **DJW**

Joystick for ISOBUS  
and Safety related applications

### **DJW JOYSTICK**

- Hall effect contactless sensor
- Suitable for Safety application
- ISOBUS version, UT 2.0, AUX-N 1.0
- Suitable for Walvoil handles
- Different connector options



The new Walvoil joystick is designed for safety related applications up to Performance Level d / SIL 2. This robust joystick is completely sealed and protected against water and dust ingress (IP67/IPx9K). The high performance hardware architecture allows the joystick to be used in ISOBUS applications where a modern user interface (colour and high resolution) is required.

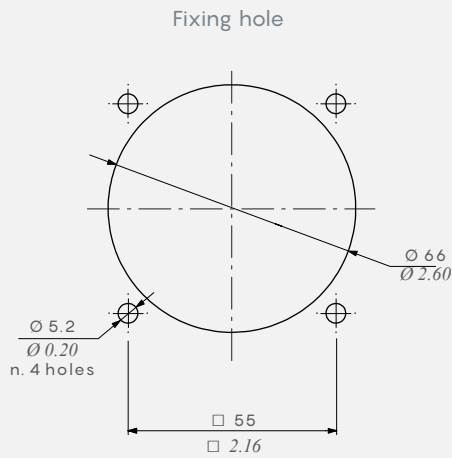
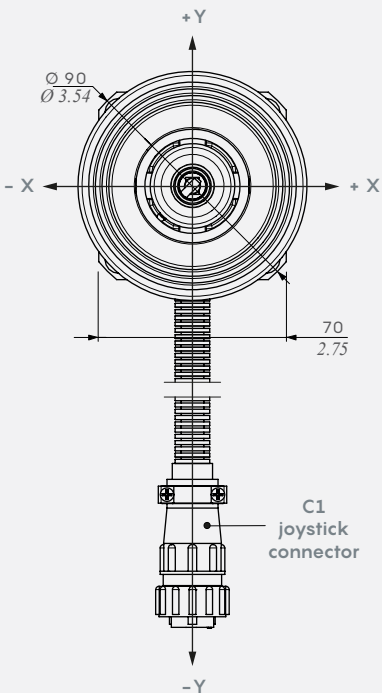
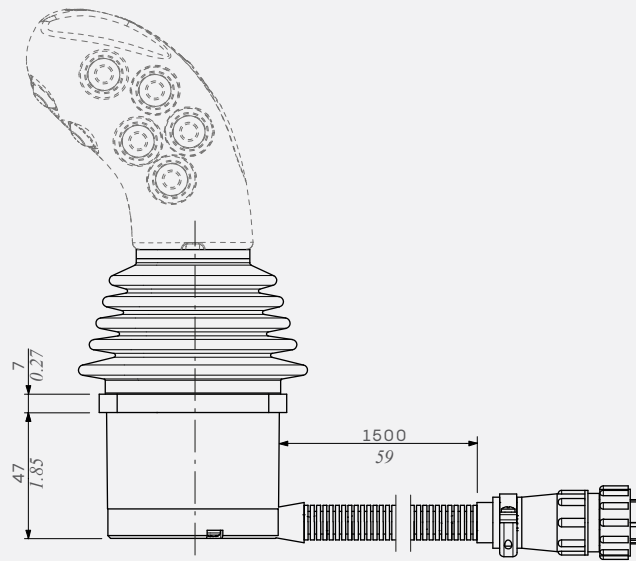
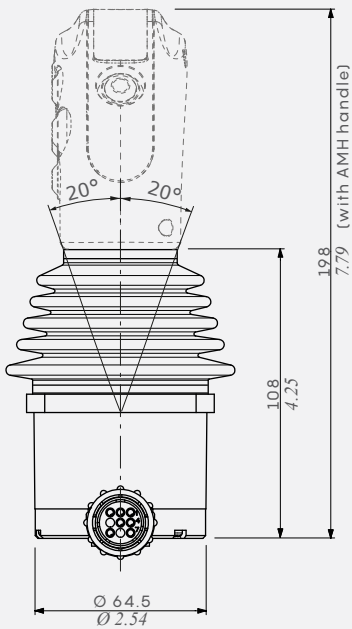
The joystick is suitable for 12V and 24V applications thanks to the 8 - 32V power supply input range. With the high number of input pins, the joystick can collect all the signals of the handle (thumbwheels, push buttons, rocker switches, ...) and send them over the CANbus network with SAE J1939, CANopen, CANopen Safety or ISOBUS protocol. It is qualified following the most rigorous international and customers standards.

## WORKING CONDITIONS

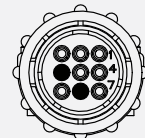


Electrical Specifications	
Supply voltage (VBB)	from 8 to 32 V
Max. supply current	Without grip 100 mA (no load)
CANbus Output	SAEJ1939, CanOpen, CanOpen Safety, ISOBUS
Mechanical specifications	
Mechanical and Electrical life	1.000.000 cycles
Lever angle	Operation ±20° for axis
Environmental specifications	
Temperature operating	from -40° C to 85° C <i>from -40° F to 185° F</i>
Storage temperature	from -40° C to 85° C <i>from -40° F to 185° F</i>
Weather protection	IP 67/IPx9K
EMC	according to ISO 14982 /13766

**DIMENSIONAL DATA**



PINOUT C1 CONNECTOR  
AMP CPC Connector-MPF 9P



PIN	COLOR	FUNCTION
1	Red	Vbb
2	Green	CAN_L
3	Green	CAN_L
4	Yellow	CAN_H
5	Yellow	CAN_H
6	-	Not connected
7	Red	Vbb
8	-	Not connected
9	Black	GND

