



DF250

Hydraulic control monoblock diverter valve

- 6 ways configuration
- Ports with SAE flange connection
- Hydraulic controls
- Galvanized body

This catalogue shows technical specifications and diagrams measured with mineral oil of 46 mm²/s (46 cSt) viscosity at 40°C - (104°F) temperature.

WORKING CONDITIONS

N. of available ways	6	
Max. flow rating	250 l/min (66 US gpm)	
Max. pressure	350 bar (5100 psi)	
Internal leakage A(B)⇒T	Δp = 100 bar (1450 psi)	8 ÷ 12 cm ³ /min (0.48 ÷ 0.73 in ³ /min)
Fluid	Mineral based oil	
Fluid temperature	with NBR (BUNA-N) seals	from -20°C to 80°C (from -4°F to 176°F)
	with FPM (VITON) seals	from -20°C to 100°C (from -4°F to 212°F)
Viscosity	operating range	from 10 to 300 mm ² /s (from 10 to 300 cSt)
Max. level of contamination	20/18/15 - ISO 4406 - NAS 1638 - class 9	
Ambient temperature for working conditions	from -40°C to 60°C (from -40°F to 140°F)	

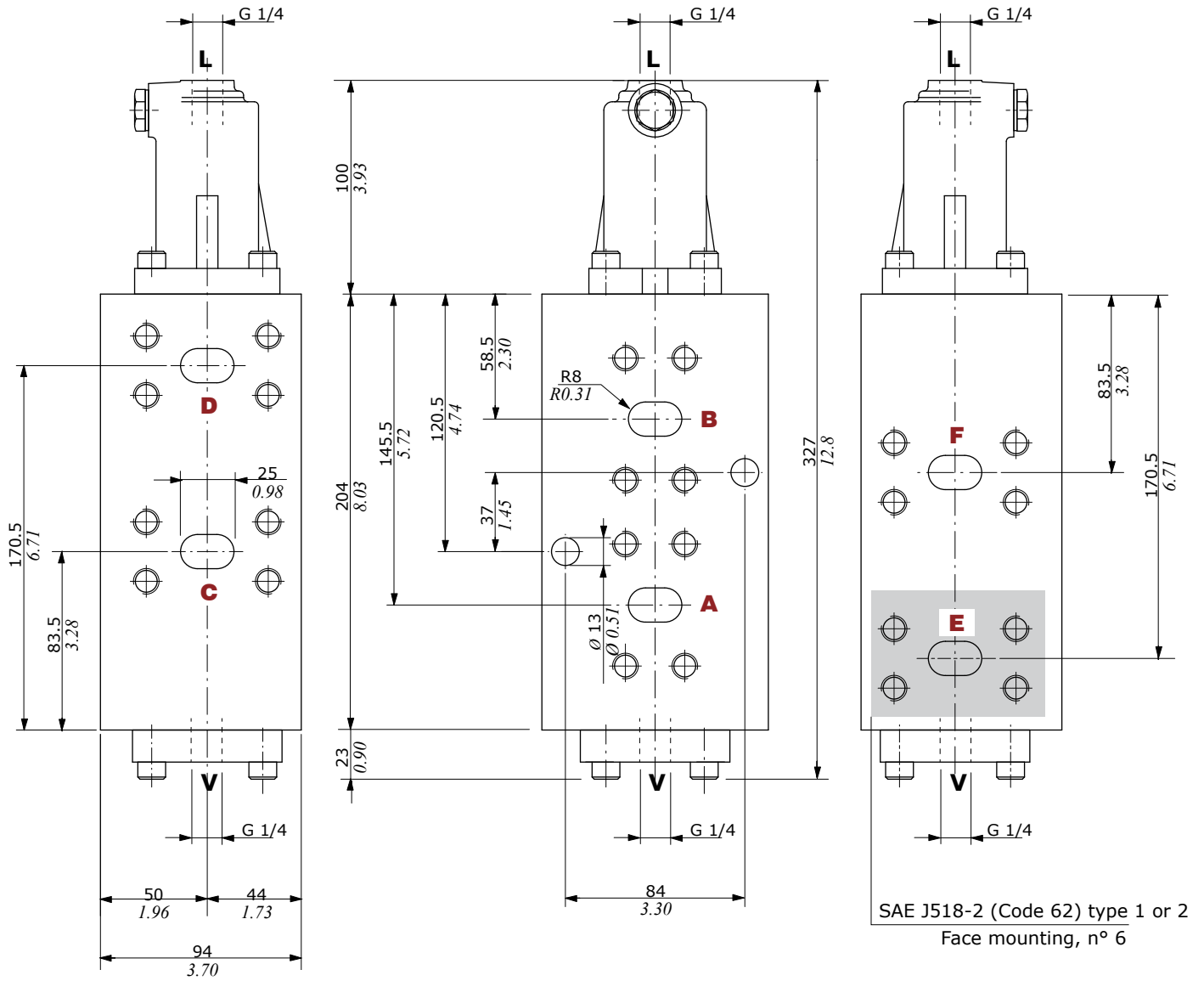
NOTE - For different working conditions please contact Sales Dept.

Available threads

FLANGE CONNECTION (ASSEMBLING SCREW)

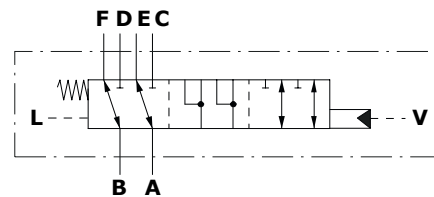
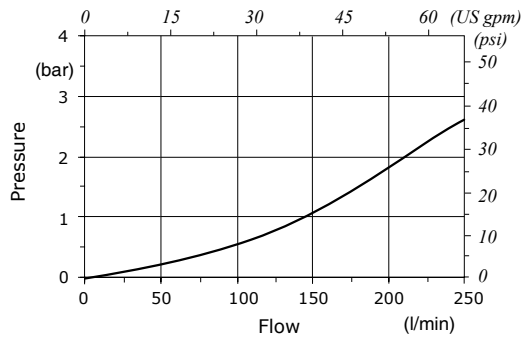
Type	ISO6162-2 / SAE J518-2 (Codice 62) Tipo 1	SAE J518-2 (Codice 62) Tipo 2
DF250	DN25 (M12) 1" (M12)	1" (7/16-14 UNC)

Dimensional data - hydraulic circuit - performance data



Pressure drop versus flow

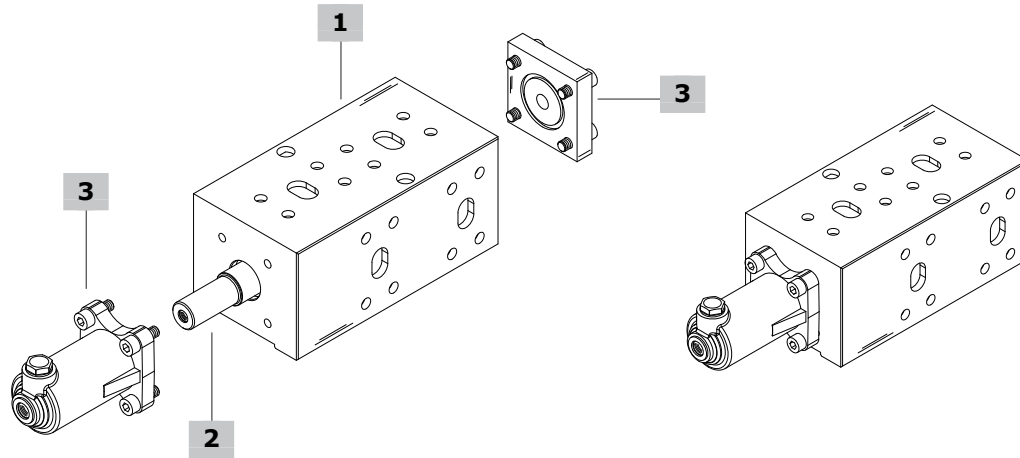
P → A(B)



Part ordering codes

Example:

DF250 / W025A - H005 - DB S35 - (CRZ)
 1 2 3 1 1 Galvanized body



1 Body kit

TYPE: **DF250-DB-S35** CODE: 430035002
 DESCRIPTION: 6 ways body kit, DN25/1", ISO6162-2 / SAE J518-2
 (Code 62) Type 1 flange
 TYPE: **DF250-DB-S36** CODE: 430035003
 DESCRIPTION: 6 ways body kit, DN25/1", SAE J518 (Code 62)
 Type 2 flange

2 Spools pag. 69

TYPE	CODE	DESCRIPTION
W025A	421235002	Flow in E and F. C and D closed in pos. 1 Ports connected in transit position
W026A	421235001	Flow in E and F. C and D closed in pos. 1 Ports closed in transit position

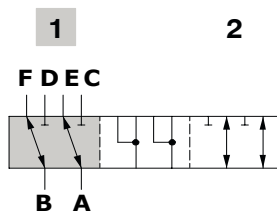
3 Complete controls

TTYPE	CODE	DESCRIPTION
H005	320535001	Hydraulic control, with G1/4 port
	430035001	Flange kit for hydraulic control, with G1/4 port Pilot pressure: min = 7.8 bar (113 psi) max = 23.4 bar (339 psi)
H031	320535002	Hydraulic control, with G1/4 port
	430035001	Flange kit for hydraulic control, with G1/4 port Pilot pressure: min = 5.8 bar (84 psi) max = 11.4 bar (165 psi)

Spool circuits

Type W025A

Flow in E and F. C and D closed in pos. 1
Ports connected in transit position

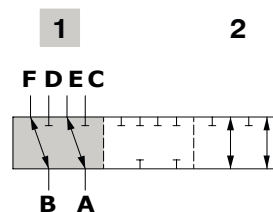


Spool stroke

Position 2: + 10 mm (0.39 in)

Type W026A

Flow in E and F. C and D closed in pos. 1
Ports closed in transit position



Spool stroke

Position 2: + 10 mm (0.39 in)