



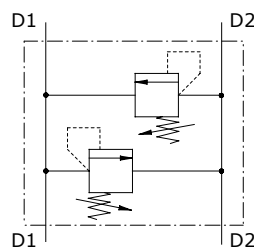
Type VADDL pressure relief valves

- Double antishock differential acting relief valve

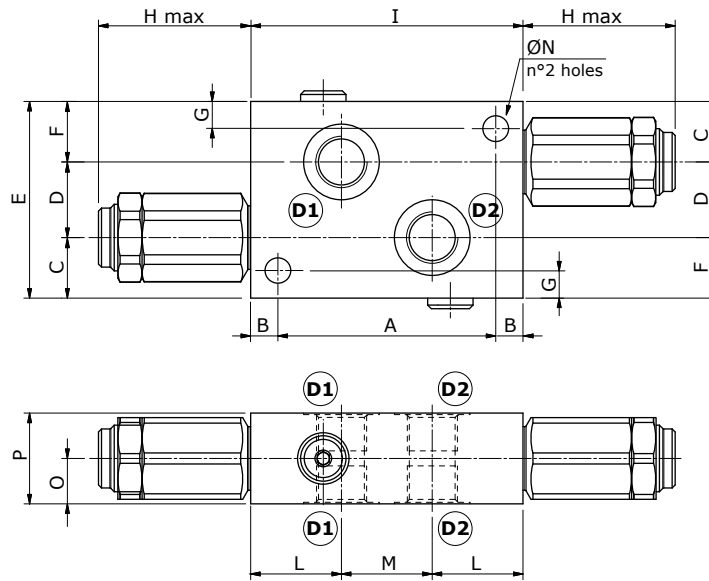
Technical specifications and diagrams are measured with mineral oil of 46 cSt viscosity at 40°C (104°F) temperature.

	VADDL 38	VADDL 12	VADDL 34	VADDL 100	
Nominal flow	35 l/min (9.2 US gpm)	60 l/min (16 US gpm)	120 l/min (31.7 US gpm)	180 l/min (47.6 US gpm)	
Max. pressure	Aluminium body = 210 bar (3050 psi) Steel body = 350 bar (5100 psi)				
Oil leakage at 80% of max. setting	0.5 cm ³ /min (0.03 in ³ /min)				
Fluid	mineral based oil				
Viscosity	from 10 to 200 cSt				
Max. level of contamination	18/16/13 ISO4406				
Fluid temperature	with NBR seals from -20°C (-4°F) to 80°C (176°F) with FPM seals from -20°C (-4°F) to 100°C (212°F)				
Environmental temp. for working conditions	from -40°C (-40°F) to 100°C (212°F)				
Weight	<i>aluminium</i>	0.88 kg (1.94 lb)	1.17 kg (2.58 lb)	1.93 kg (4.25 lb)	2.29 kg (5.05 lb)
	<i>steel</i>	1.53 kg (3.37 lb)	2.04 kg (4.50 lb)	4.77 kg (10.51 lb)	4.16 kg (9.17 lb)

NOTE - For different conditions, please contact Walvoil Sales Dpt.



Dimensions

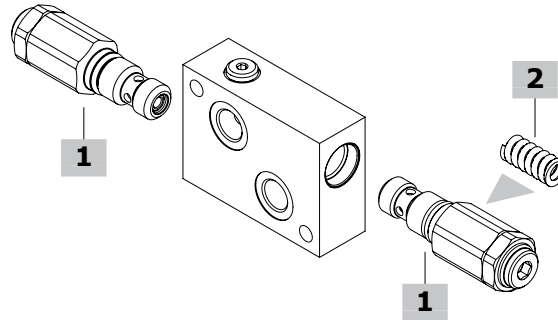
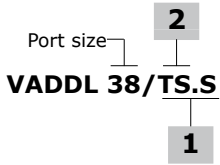


Valve type	All ports
VADDL 38	G3/8
VADDL 12	G1/2
VADDL 34	G3/4
VADDL 100	G1
Valve type	All ports
VADDL 38/SAE	SAE8
VADDL 12/SAE	SAE10
VADDL 34/SAE	SAE12
VADDL 100/SAE	SAE16

Dimensions are in mm-in

Valve type	A	B	C	D	E	F	G	H max	I	L	M	ØN	O	P
VADDL 38 VADDL 38/SAE	72-2.83	9-0.35	20-0.79	25-0.98	65-2.56	20-0.79	9-0.35	57.7-2.27	90-3.54	30-1.18	30-1.18	8.5-0.33	15-0.59	30-1.18
VADDL 12 VADDL 12/SAE	80-3.15	10-0.39	21-0.82	27-1.06	70-2.75	22-0.87	10-0.39	56.2-2.21	100-3.94	31-1.22	38-1.50	8.5-0.33	17.5-0.69	35-1.38
VADDL 34 VADDL 34/SAE	90-3.54	10-0.39	31-1.22	32-1.26	90-3.54	27-1.06	10-0.39	68.8-2.71	110-4.33	36-1.42	38-1.50	8.5-0.33	20-0.79	40-1.57
VADDL 100 VADDL 100/SAE	90-3.54	10-0.39	34-1.34	38-1.50	100-3.94	28-1.10	10-0.39	68.8-2.71	110-4.33	30-1.18	50-1.97	8.5-0.33	25-0.98	50-1.97

Ordering codes and description composition



VADDL complete valves

Differential type valve configuration

Standard setting 150 bar @ 5 l/min (2100 psi at 1.32 US gpm)

TYPE	CODE	DESCRIPTION
Configuration with G3/8 standard thread		
VADDL 38/TS.S	1150021102	Aluminium body, setting range 5-210 bar (72.5-3045 psi)
VADDL 38/TS.S/ac	1150022100	Steel body, as previous one
Configuration with G1/2 standard thread		
VADDL 12/TS.S	1150031102	Aluminium body, setting range 5-210 bar (72.5-3045 psi)
VADDL 12/TS.S/ac	1150032100	Steel body, as previous one
Configuration with G3/4 standard thread		
VADDL 34/TS.S	1150041102	Aluminium body, setting range 5-210 bar (72.5-3045 psi)
VADDL 34/TS.S/ac	1150042101	Steel body, as previous one
Configuration with G1" standard thread		
VADDL 100/TS.S	1150051102	Aluminium body, setting range 5-210 bar (72.5-3045 psi)
VADDL 100/TS.S/ac	1150052100	Steel body, as previous one
Configuration with SAE8 standard thread		
VADDL 38/TS.S/SAE	1150021200	Aluminium body, setting range 5-210 bar (72.5-3045 psi)
Configuration with SAE10 standard thread		
VADDL 12/TS.S/SAE	1150031201	Aluminium body, setting range 5-210 bar (72.5-3045 psi)
Configuration with SAE12 standard thread		
VADDL 34/TS.S/SAE	1150041200	Aluminium body, setting range 5-210 bar (72.5-3045 psi)
Configuration with SAE16 standard thread		
VADDL 100/TS.S/SAE	1150051200	Aluminium body, setting range 5-210 bar (72.5-3045 psi)

For other steel body configurations, SAE thread and configurations with FPM (Viton) seals, please contact our Sales Dpt.

1 Direct acting pressure relief valves

Standard setting 150 bar @ 5 l/min (2100 psi at 1.32 US gpm)

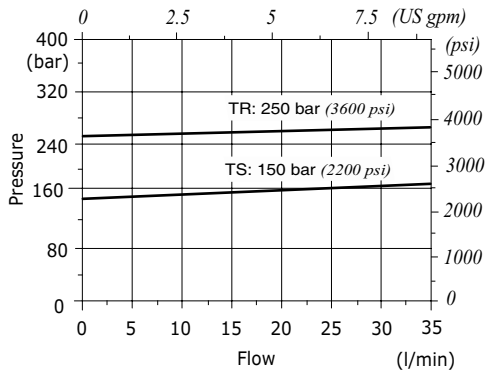
TYPE	CODE	DESCRIPTION
For G3/8 ports configuration		
VMPD 38/TS.S	1120020402	Setting range 5-210 bar (72.5-3050 psi)
For G1/2 ports configuration		
VMPD 12/TS.S	1120030402	Setting range 5-210 bar (72.5-3050 psi)
For G3/4 and G1" ports configuration		
VMPD 34/TS.S	1120040402	Setting range 5-210 bar (72.5-3050 psi)

2 Pressure setting spring

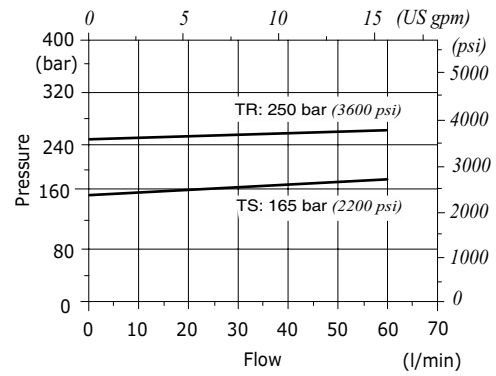
TYPE	CODE	DESCRIPTION
For VMPD 38 valve		
TS	3ML1144000	Setting range 5-210 bar (72.5-3050 psi)
TR	3ML1144001	Setting range 50-350 bar (725-5100 psi)
For VMPD 12 valve		
TS	3ML1164000	Setting range 5-210 bar (72.5-3050 psi)
TR	3ML1164001	Setting range 50-350 bar (725-5100 psi)
For VMPD 34 valve		
TS	3ML1194500	Setting range 5-210 bar (72.5-3050 psi)
TR	3ML1194501	Setting range 50-350 bar (725-5100 psi)

Rating diagrams

VADDL 38 pressure drop vs. flow
Std. setting @ 5 l/min (1.32 US gpm)



VADDL 12 pressure drop vs. flow
Std. setting @ 5 l/min (1.32 US gpm)



VADDL 34-100 pressure drop vs. flow
Std. setting @ 5 l/min (1.32 US gpm)

