



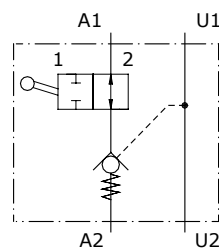
Type VBPSL/R pilot operated check valves

- Single acting
- Shut-off

Technical specifications and diagrams are measured with mineral oil of 46 cSt viscosity at 40°C (104°F) temperature.

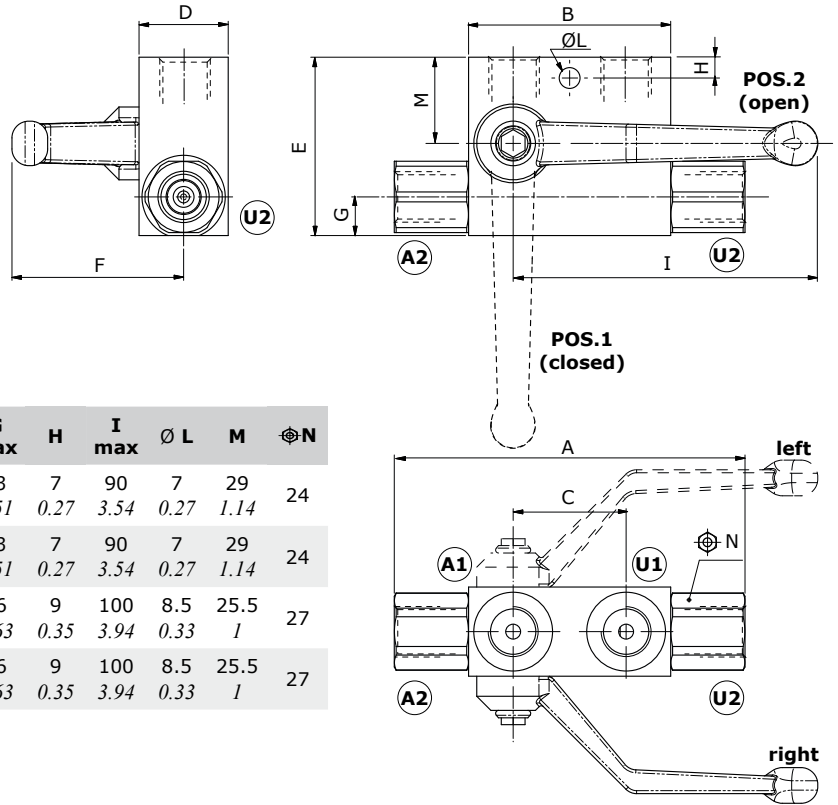
	VBPSL/R..14	VBPSL/VP/R..38	VBPSL/R..38	VBPSL/VP/R..12
Nominal flow	25 l/min (6.6 US gpm)	25 l/min (6.6 US gpm)	50 l/min (13.2 US gpm)	50 l/min (13.2 US gpm)
Max. pressure	350 bar (5100 psi)	350 bar (5100 psi)	300 bar (4350 psi)	300 bar (4350 psi)
Oil leakage	0.25 cm ³ /min (0.015 in ³ /min) at 210 bar (3050 psi)			
Fluid	mineral based oil			
Viscosity	from 10 to 200 cSt			
Max. level of contamination	18/16/13 ISO4406			
Fluid temperature	with NBR seals: from -20°C (-4°F) to 80°C (176°F)			
Environmental temp. for working conditions	from -40°C (-40°F) to 100°C (212°F)			
Weight	steel 0.95 kg (2.09 lb)	0.95 kg (2.09 lb)	1.12 kg (2.47 lb)	1.12 kg (2.47 lb)

NOTE - For different conditions, please contact Walvoil Sales Dpt.



Dimension

Valve type	All ports
VBPSL/R..14	G1/4
VBPSL/VP/R..38	G3/8
VBPSL/R..38	G3/8
VBPSL/VP/R..12	G1/2



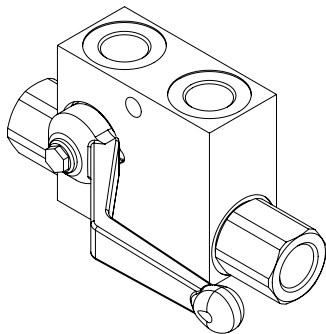
Dimensions are in mm-in

Valve type	A	B	C	D	E	F max	G max	H	I max	Ø L	M	⊕N
VBPSL/R..14	118 4.64	68 2.68	38 1.50	30 1.18	60 2.36	65 2.56	13 0.51	7 0.27	90 3.54	7 0.27	29 1.14	24
VBPSL/VP/R..38	118 4.64	68 2.68	38 1.50	30 1.18	60 2.36	65 2.56	13 0.51	7 0.27	90 3.54	7 0.27	29 1.14	24
VBPSL/R..38	143 5.63	80 3.15	40 1.57	30 1.18	60 2.36	60 2.36	16 0.63	9 0.35	100 3.94	8.5 0.33	25.5 1	27
VBPSL/VP/R..12	143 5.63	80 3.15	40 1.57	30 1.18	60 2.36	60 2.36	16 0.63	9 0.35	100 3.94	8.5 0.33	25.5 1	27

Ordering codes and description composition

D - right
S - left
Port size

VBPSL/R D 14



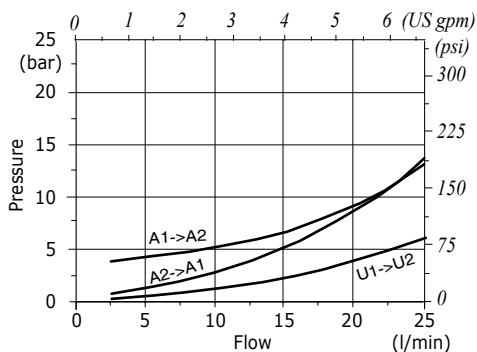
VBPSLR complete valves

TYPE	CODE	DESCRIPTION
VBPSL/R/S 14/p4,5/Pa4/ac	1415312100	Steel body, opening pressure 4 bar (58 psi), pilot ratio 1:4.5, G1/4 ports, left lever
VBPSL/R/D 14/p4,5/Pa4/ac	1415312101	As previous with right lever
VBPSL/R/S 38/p4/Pa4/ac	1415322100	Steel body, opening pressure 4 bar (58 psi), pilot ratio 1:4, G3/8 ports, left lever
VBPSL/R/D 38/p4/Pa4/ac	1415322101	As previous with right lever
VBPSL/VP/R/S 38/p4,5/Pa4/ac	1415322102	Steel body, opening pressure 4 bar (58 psi), pilot ratio 1:4.5, G3/8 ports, left lever
VBPSL/VP/R/D 38/p4,5/Pa4/ac	1415322103	As previous with right lever
VBPSL/VP/R/S 12/p4/Pa4/ac	1415332100	Steel body, opening pressure 4 bar (58 psi), pilot ratio 1:4, G1/2 ports, left lever
VBPSL/VP/R/D 12/p4/Pa4/ac	1415332101	As previous with right lever

For different configurations or SAE threads please contact our Sales Dpt.

Rating diagram

VBPSL/R..14 pressure drop vs. flow



VBPSL/R..38 pressure drop vs. flow

