



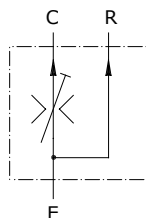
Type VPF/3/EP flow control pressure compensated valves

- 3 ways
- Exceeding flow to pressure
- Whit constant flow in "C"

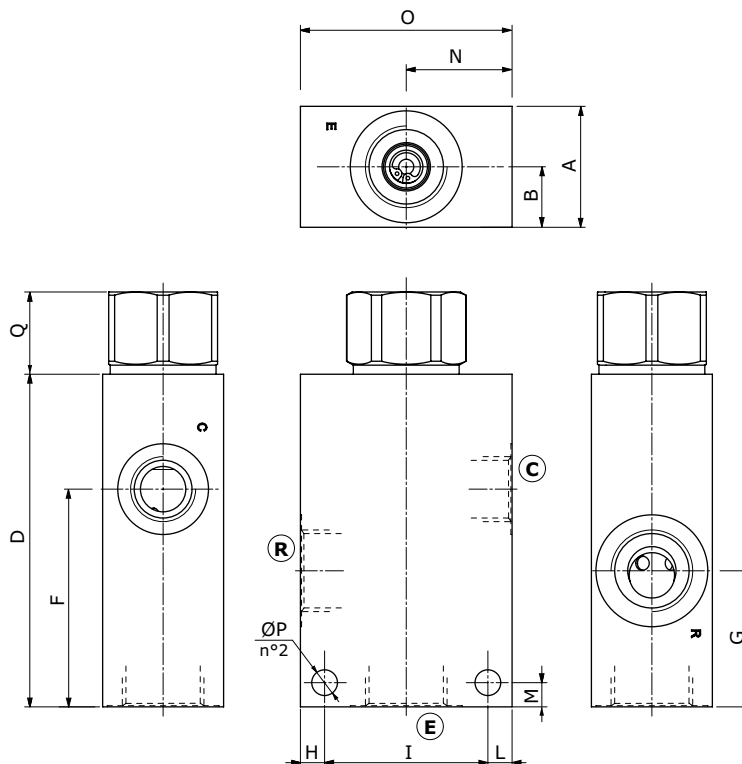
Technical specifications and diagrams are measured with mineral oil of 46 cSt viscosity at 40°C (104°F) temperature.

	VPF/3/EP 38	VPF/3/EP 12	VPF/3/EP 34	
Nominal flow	60 l/min (15.8 US gpm)	100 l/min (26.4 US gpm)	150 l/min (39.6 US gpm)	
Max. pressure	Aluminium body = 210 bar (3050 psi) Steel body = 350 bar (5100 psi)			
Fluid	mineral based oil			
Viscosity	from 10 to 200 cSt			
Max. level of contamination	18/16/13 ISO4406			
Fluid temperature	with NBR seals from -20°C (-4°F) to 80°C (176°F) with FPM seals from -20°C (-4°F) to 100°C (212°F)			
Environmental temperature for working conditions	from -40°C (-40°F) to 100°C (212°F)			
Weight	aluminium	0.62 kg (1.37 lb)	0.85 kg (1.87 lb)	1.68 kg (3.70 lb)
	steel	1.35 kg (2.98 lb)	2.18 kg (4.81 lb)	3.71 kg (8.18 lb)

NOTE - For different conditions, please contact Walvoil Sales Dpt.



Dimensions



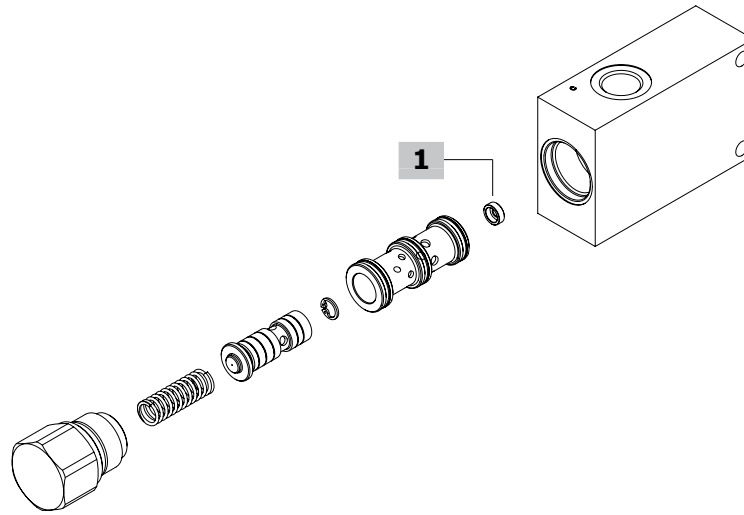
Valve type	(E)	(R)	(C)
VPF/3/EP 38	G1/2	G3/8	G3/8
VPF/3/EP 12	G3/4	G3/4	G1/2
VPF/3/EP 34	1"	1"	G3/4

Dimensions are in mm-in

Valve type	A	B	D	F	G	H	I	L	M	N	O	ØP	Q
VPF/3/EP 38	35 1.38	17.5 0.69	95 3.74	55 2.16	35 1.38	8 0.31	44 1.73	8 0.315	8 0.315	30 1.18	60 2.36	8.5 0.335	10 0.394
VPF/3/EP 12	40 1.57	20 0.79	110 4.33	72 2.83	45 1.77	8 0.315	54 2.12	8 0.315	8 0.315	35 1.38	70 2.75	8.5 0.335	27.2 1.07
VPF/3/EP 34	50 1.97	25 0.98	120 4.72	80 3.14	50 1.97	10 0.39	70 2.75	10 0.394	10 0.394	45 1.77	90 3.54	10.5 0.413	24.5 0.96

Ordering codes and description composition

Port size
VPF/3/EP 38/Ds1
1



VPF/3/EP complete valves

TYPE: **VPF/3/EP 38/Ds1** CODE: 1640021100
 DESCRIPTION: Aluminium body, G3/8 ports, fixed orifice Ø1 mm-0.039 in (Qc 1.2 l/min-0.31 US gpm)

TYPE: **VPF/3/EP 12/Ds2** CODE: 1640031102
 DESCRIPTION: Aluminium body, G1/2 ports, fixed orifice Ø2 mm-0.078 in (Qc 4 l/min-1.05 US gpm)

TYPE: **VPF/3/EP 34/Ds3** CODE: 1640041105
 DESCRIPTION: Aluminium body, G3/4 ports, fixed orifice Ø3 mm-0.12 in (Qc 11 l/min-2.9 US gpm)

TYPE: **VPF/3/EP 38/Ds2,5/ac** CODE: 1640022100
 DESCRIPTION: Steel body, G3/8 ports, fixed orifice Ø2.5 mm-0.14 in (Qc 7.5 l/min-1.98 US gpm)

TYPE: **VPF/3/EP 12/Ds3/ac** CODE: 1640032103
 DESCRIPTION: Steel body, G1/2 ports, fixed orifice Ø3 mm-0.12 in (Qc 11 l/min-2.9 US gpm)

TYPE: **VPF/3/EP 34/Ds4/ac** CODE: 1640042100
 DESCRIPTION: Steel body, G3/4 ports, fixed orifice Ø4 mm-0.16 in (Qc 20.5 l/min-5.41 US gpm)

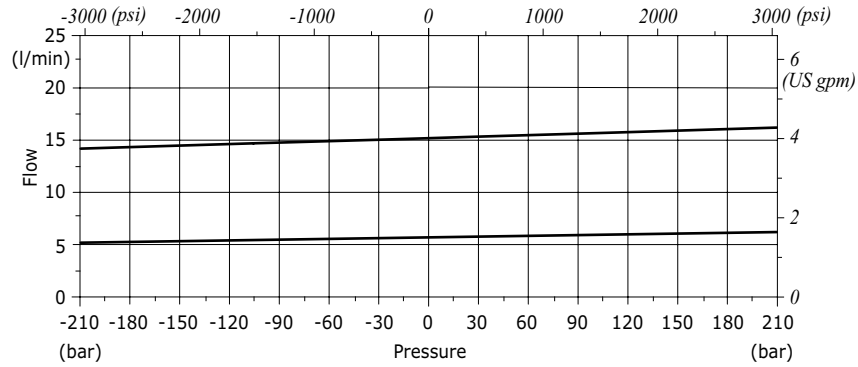
For other steel body configurations, SAE thread and configurations with FPM (Viton) seals, please contact our Sales Dpt.

1 Fixed orifice

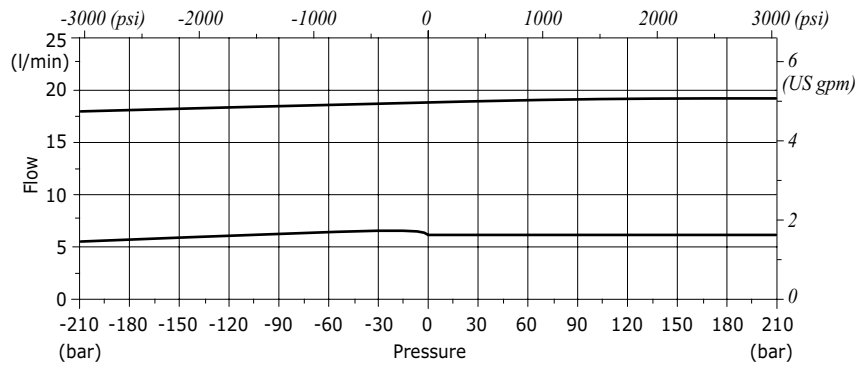
TYPE	CODE	DESCRIPTION
For VPF/3/EP 38 valve		
Ds1	3DF1091000	Ø1 mm-0.039 in (Qc 1.2 l/min-0.31 US gpm)
Ds1,5	3DF1091500	Ø1.5 mm-0.059 in (Qc 2.8 l/min-0.73 US gpm)
Ds2	3DF1092000	Ø2 mm-0.079 in (Qc 5 l/min-1.32 US gpm)
Ds2,5	3DF1092500	Ø2.5 mm-0.098 in (Qc 7.5 l/min-1.98 US gpm)
Ds2,8	3DF1092800	Ø2.8 mm-0.11 in (Qc 9.5 l/min-2.5 US gpm)
Ds3	3DF1093000	Ø3 mm-0.12 in (Qc 11 l/min-2.9 US gpm)
Ds3,5	3DF1093500	Ø3.5 mm-0.14 in (Qc 16 l/min-4.2 US gpm)
Ds3,8	3DF1093800	Ø3.8 mm-0.15 in (Qc 20 l/min-5.9 US gpm)
Ds4	3DF1094000	Ø4 mm-0.16 in (Qc 23 l/min-6 US gpm)
For VPF/3/EP 12 valve		
Ds1	3DF1111000	Ø1 mm-0.039 in (Qc 1.1 l/min-0.29 US gpm)
Ds1,5	3DF1111500	Ø1.5 mm-0.059 in (Qc 2.5 l/min-0.66 US gpm)
Ds2	3DF1112000	Ø2 mm-0.079 in (Qc 4 l/min-1.05 US gpm)
Ds2,5	3DF1112500	Ø2.5 mm-0.098 in (Qc 6.5 l/min-1.72 US gpm)
Ds2,8	3DF1112800	Ø2.8 mm-0.11 in (Qc 8 l/min-2.1 US gpm)
Ds3	3DF1113000	Ø3 mm-0.12 in (Qc 9.5 l/min-2.5 US gpm)
Ds3,5	3DF1113500	Ø3.5 mm-0.14 in (Qc 13 l/min-3.43 US gpm)
Ds3,8	3DF1113800	Ø3.8 mm-0.15 in (Qc 16 l/min-4.22 US gpm)
Ds4	3DF1114000	Ø4 mm-0.16 in (Qc 18 l/min-4.75 US gpm)
Ds4,5	3DF1114500	Ø4.5 mm-0.18 in (Qc 25 l/min-6.6 US gpm)
Ds5	3DF1115000	Ø5 mm-0.2 in (Qc 32 l/min-8.45 US gpm)
Ds5,5	3DF1115000	Ø5.5 mm-1.2 in (Qc 41 l/min-10.83 US gpm)
For VPF/3/EP 34 valve		
Ds1	3DF1151000	Ø1 mm-0.039 in (Qc 1.3 l/min-0.34 US gpm)
Ds1,5	3DF1151500	Ø1.5 mm-0.059 in (Qc 3 l/min-0.4 US gpm)
Ds2	3DF1152000	Ø2 mm-0.079 in (Qc 5 l/min-1.32 US gpm)
Ds2,5	3DF1152500	Ø2.5 mm-0.14 in (Qc 7.5 l/min-1.98 US gpm)
Ds3	3DF1153000	Ø3 mm-0.15 in (Qc 11 l/min-2.9 US gpm)
Ds3,5	3DF1153500	Ø3.5 mm-0.15 in (Qc 15 l/min-3.96 US gpm)
Ds4	3DF1154000	Ø4 mm-0.16 in (Qc 20.5 l/min-5.41 US gpm)
Ds4,5	3DF1154500	Ø4.5 mm-0.18 in (Qc 26.5 l/min-7 US gpm)
Ds5	3DF1155000	Ø5 mm-0.2 in (Qc 33 l/min-8.72 US gpm)
Ds5,5	3DF1155500	Ø5.5 mm-1.2 in (Qc 42 l/min-11.09 US gpm)
Ds6	3DF1156000	Ø6 mm-0.18 in (Qc 52 l/min-13.74 US gpm)
Ds6,5	3DF1156500	Ø6.5 mm-0.2 in (Qc 63 l/min-16.64 US gpm)
Ds7	3DF1157000	Ø7 mm-1.2 in (Qc 77 l/min-20.34 US gpm)

Rating diagrams

**VPF/3/EP 38 compensation diagram in C
changing the Δp between E and R**



**VPF/3/EP 12 compensation diagram in C
changing the Δp between E and R**



**VPF/3/EP 34 compensation diagram in C
changing the Δp between E and R**

